



BY APPOINTMENT TO
THE ROYAL DANISH COURT

CARL HANSEN & SØN

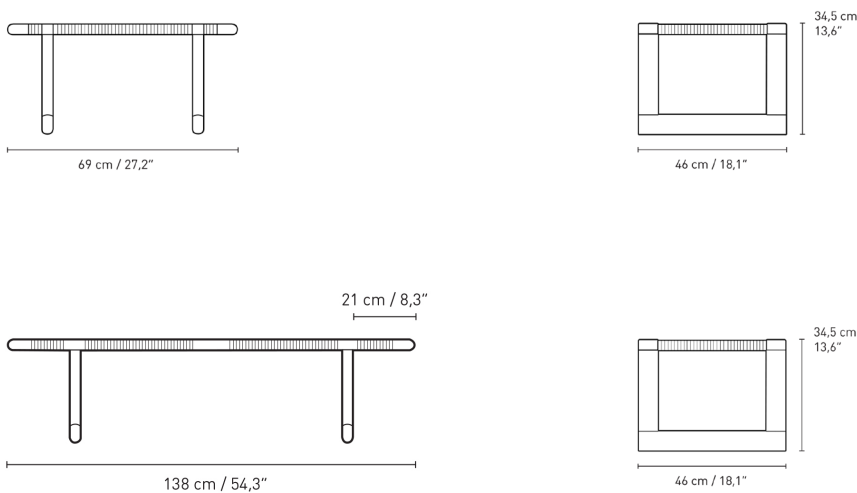


PRODUCT SHEET

BMO488 TABLE BENCH

The BMO488 Table Bench was shown for the first time at the 1958 Copenhagen Cabinetmakers' Guild Furniture Exhibition on a stand called 'Landhuset' designed by Børge Mogensen. In 2020 Carl Hansen & Søn relaunched it as part of a growing collection of the renowned Danish architect and designer's work. The Table Bench was originally created to complement the BMO865 Daybed, this multi-functional piece with woven detailing forms part of Mogensen's 'building furniture' concept through which he conceived enduring furniture that could be added to and adapted over time in response to changing needs and living situations. The BMO488 Table Bench comes in two sizes, both versatile pieces of furniture that work in a hallway, at the foot of a bed or as a sofa or side table in the living room.

SPECIFICATIONS



Packaging dimensions and weight	Height	Width	Length	Cbm	Net.	Tara	Gross	Cartons
BMO488S	415 mm	495 mm	1420 mm	0.15	7.5 kg	3.5 kg	11 kg	1/1
BMO488L	415 mm	495 mm	715 mm	0.29	5.9 kg	1.7 kg	7.6 kg	1/1

Certifications	Preassembled	Quick ship
FSC®-certified oak (FSC-C135991)	Yes	Yes

MATERIALS

Frame:  Oak oil

Weave:  Cane wicker, natural