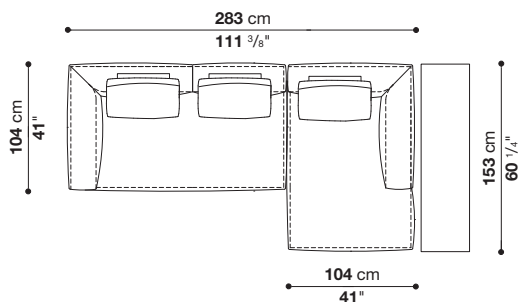


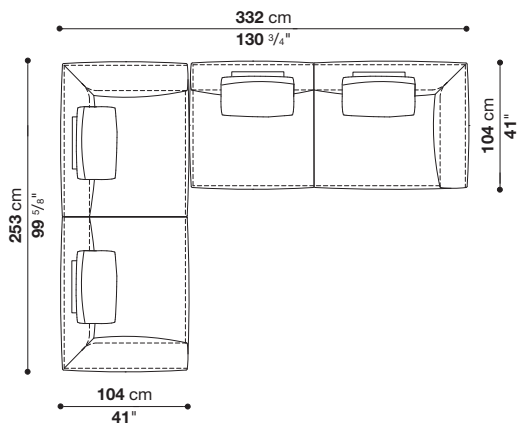
Examples of compositions

Composition MC001



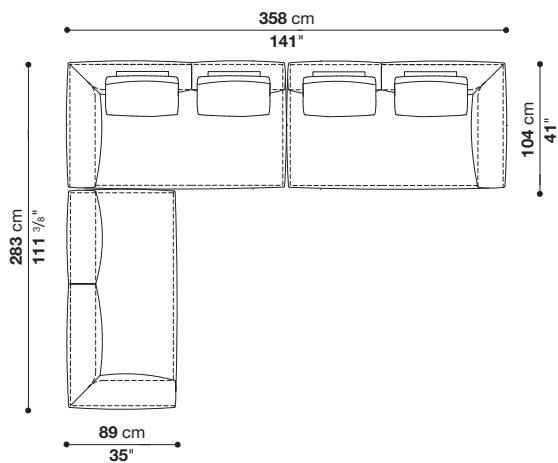
| Quantity | Code |
|----------|---------|
| 1 | M182TS |
| 1 | M156CHD |
| 3 | M60CP |
| 1 | FE155 |

Composition MC002



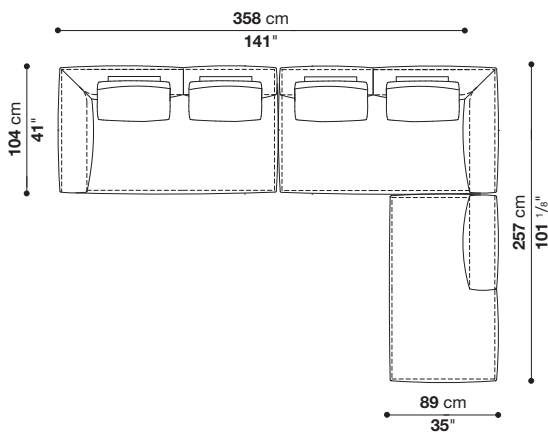
| Quantity | Code |
|----------|--------|
| 1 | M256 |
| 1 | M231TD |
| 4 | M60CP |

Composition MC003



| Quantity | Code |
|----------|---------|
| 1 | 9M182TS |
| 1 | M182TS |
| 1 | M182TD |
| 4 | M60CP |

Composition MC004

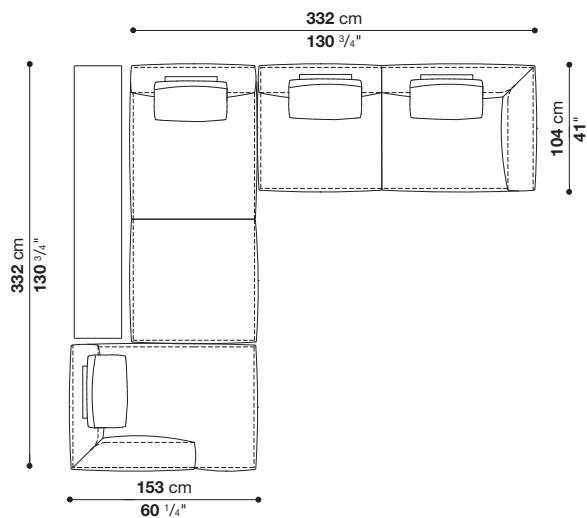


| Quantity | Code |
|----------|---------|
| 1 | M182TS |
| 1 | M182TD |
| 1 | 9M156PS |
| 4 | M60CP |

Note On the order please specify the composition code (the armrest and optional cushions are not included).

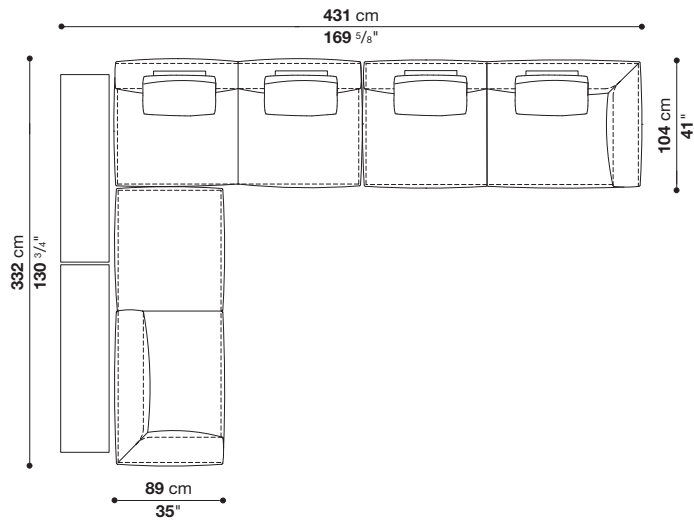
Examples of compositions

Composition MC005



| Quantity | Code |
|----------|---------|
| 1 | M156CHS |
| 1 | M231CH |
| 1 | M231TD |
| 4 | M60CP |
| 1 | FE155 |

Composition MC006



| Quantity | Code |
|----------|----------|
| 1 | 9M231CHD |
| 1 | M206P2 |
| 1 | M231TD |
| 4 | M60CP |
| 2 | FE155 |

Note On the order please specify the composition code (the armrest and optional cushions are not included).