

Audo

COPENHAGEN



HARBOUR SIDE DINING CHAIR, STAR BASE
Designed by *Norm Architects*



HARBOUR SIDE DINING CHAIR, STAR BASE W/SWIVEL, PLASTIC
Designed by *Norm Architects*

Dining chair with upholstered shell set on a solid oak base. All Harbour chairs have been upgraded with extra foam in the seat for better sitting comfort, increasing from 15 mm in thickness to 25 mm.



PRODUCT OPTIONS

Plastic shell



Star base



TECHNICAL SPECIFICATIONS

PRODUCT TYPE
Dining chair

COLLI
1

ENVIRONMENT
Indoor

DIMENSIONS
H: 81 cm / 31,5"
SH: 48 cm / 18,8"
D: 54,5 cm / 21,5"
W: 50 cm / 19,7"

PRODUCTION PROCESS
The shell is made using injection moulded polypropylene with fibreglass. The star base is die-cast aluminium and the column is made of extruded aluminium.

All new Harbour Dining Chairs with a swivel base or swivel with return have been upgraded with QuickClick gliders, as used on all other chairs in our collection.

The chairs are delivered with the plastic gliders attached and come with a bag of supplementary felt castors that allow you to easily switch from plastic to felt.

COLOUR

Shell
Black (RAL 9011)
Burned red (RAL 8015)
Khaki (RAL 1011)
Light grey (RAL 9002)
Olive (RAL 7002)
White (RAL 9016)

Base
Black (RAL 9005)
Polished aluminium

GLOSS
Gloss 10-20

MATERIALS

Shell
85% polypropylene, 15% fibreglass

Base
Cast, extruded aluminium

WEIGHT
13 kg / 28,7 lb

TEST
EN 1022:2005, L2
EN 1639:2013, L2

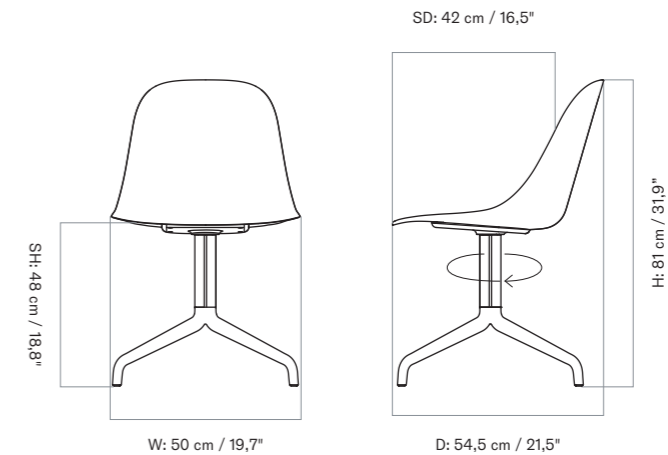
CERTIFICATIONS

Declare.

PACKAGING TYPE
Brown box

PACKAGING MEASUREMENTS
(H × W × D)
86 cm × 65 cm × 65 cm / 34" × 25,6" × 25,6"

MATERIALS & MAINTENANCE
Please visit audocph.com for materials, care and maintenance instructions.





HARBOUR SIDE DINING CHAIR, STAR BASE W/SWIVEL, UPHOLSTERED
Designed by *Norm Architects*

Dining chair with upholstered shell set on a polished aluminium or black powder coated aluminium star base with swivel. All Harbour chairs have been upgraded with extra foam in the seat for better sitting comfort, increasing from 15 mm in thickness to 25 mm.



PRODUCT OPTIONS

Shell



WITH UPHOLSTERY

Star base



BLACK POWDER
COATED ALUMINIUM



POLISHED ALUMINIUM

Spec options

Available in fabrics from our upholstery programme. Standard lead times apply.

For custom upholstery, please refer to the guiding textile/leather consumption:
COM: 1,27 m / 1,397 yds
COL: 2 m² / 21,54 sqft

Prices excl. custom upholstery are equal to Price Category 1 Textile or Leather. Contact Sales support for approval of custom upholstery and to place your order.

The above textile consumption is only valid for textile rolls with a width equal to or greater than 140 cm. For smaller textile rolls, please contact Sales Support for guidance. For textile with pattern, please expect a higher usage for correct pattern fitting. Please contact Sales Support for guidance.

PRODUCT TYPE
Dining chair

COLLI
1

ENVIRONMENT
Indoor

DIMENSIONS
H: 81 cm / 31,5"
SH: 48 cm / 18,8"
D: 54,5 cm / 21,5"
W: 50 cm / 19,7"

PRODUCTION PROCESS
The shell is made using injection moulded polypropylene with fibreglass. The star base is die-cast aluminium and the column is made of extruded aluminium.

All new Harbour Dining Chairs with a swivel base or swivel with return have been upgraded with QuickClick gliders, as used on all other chairs in our collection.

The chairs are delivered with the plastic gliders attached and come with a bag of supplementary felt castors that allow you to easily switch from plastic to felt.

TECHNICAL SPECIFICATIONS

COLOUR
Shell with upholstery
Dependent upon selected upholstery

Base
Black (RAL 9005)
Polished aluminium

GLOSS
Gloss 10-20

MATERIALS
Shell
85% polypropylene, 15% fibreglass

Upholstered shell foam
CAL117 50 kg / 50N and 40 kg / 60N

Base
Cast, extruded aluminium

WEIGHT
13 kg / 28,7 lb

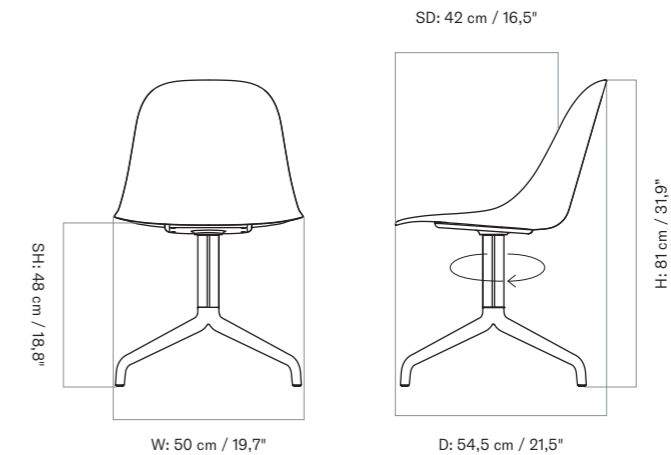
TEST
EN 1022:2005, L2
EN 1639:2013, L2

CERTIFICATIONS
Declare.

PACKAGING TYPE
Brown box

PACKAGING MEASUREMENTS
(H × W × D)
86 cm × 65 cm × 65 cm /
34" × 25,6" × 25,6"

MATERIALS & MAINTENANCE
Please visit audocph.com for materials, care and maintenance instructions.





HARBOUR SIDE DINING CHAIR, STAR BASE, SWIVEL W/RETURN, PLASTIC
Designed by *Norm Architects*

Dining chair with upholstered shell set on a polished aluminium or black powder coated aluminium star base with swivel. All Harbour chairs have been upgraded with extra foam in the seat for better sitting comfort, increasing from 15 mm in thickness to 25 mm.



PRODUCT OPTIONS

Plastic shell



Star base



PRODUCT TYPE
Dining chair

COLLI
1

ENVIRONMENT
Indoor

DIMENSIONS
H: 81 cm / 31,5"
SH: 48 cm / 18,8"
D: 54,5 cm / 21,5"
W: 50 cm / 19,7"

PRODUCTION PROCESS
The shell is made using injection moulded polypropylene with fibreglass. The star base is die-cast aluminium and the column is made of extruded aluminium.

All new Harbour Dining Chairs with a swivel base or swivel with return have been upgraded with QuickClick gliders, as used on all other chairs in our collection.

The chairs are delivered with the plastic gliders attached and come with a bag of supplementary felt castors that allow you to easily switch from plastic to felt.

TECHNICAL SPECIFICATIONS

COLOUR

Shell
Black (RAL 9011)
Burned red (RAL 8015)
Khaki (RAL 1011)
Light grey (RAL 9002)
Olive (RAL 7002)
White (RAL 9016)

Base
Black (RAL 9005)
Polished aluminium

GLOSS
Gloss 10-20

MATERIALS

Shell
85% polypropylene, 15% fibreglass

Base
Cast, extruded aluminium

WEIGHT
13 kg / 28,7 lb

TEST
EN 1022:2005, L2
EN 1639:2013, L2

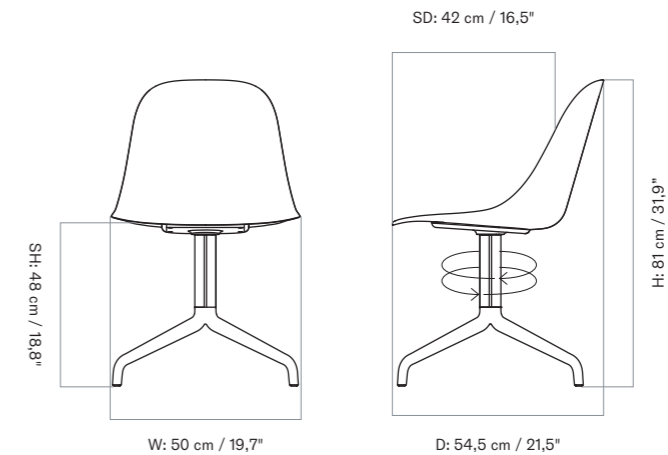
CERTIFICATIONS

Declare.

PACKAGING TYPE
Brown box

PACKAGING MEASUREMENTS
(H x W x D)
86 cm x 65 cm x 65 cm /
34" x 25,6" x 25,6"

MATERIALS & MAINTENANCE
Please visit audocph.com for materials, care and maintenance instructions.





HARBOUR SIDE DINING CHAIR, STAR BASE, SWIVEL W/RETURN, UPH.
Designed by *Norm Architects*

Dining chair with upholstered shell set on a polished aluminium or black powder coated aluminium star base with return swivel. All Harbour chairs have been upgraded with extra foam in the seat for better sitting comfort, increasing from 15 mm in thickness to 25 mm.



PRODUCT OPTIONS

Shell



WITH UPHOLSTERY

Star base



BLACK POWDER
COATED ALUMINIUM



POLISHED ALUMINIUM

Spec options

Available in fabrics from our upholstery programme. Standard lead times apply.

For custom upholstery, please refer to the guiding textile/leather consumption:
COM: 1,27 m / 1,397 yds
COL: 2 m² / 21,54 sqft

Prices excl. custom upholstery are equal to Price Category 1 Textile or Leather. Contact Sales support for approval of custom upholstery and to place your order.

The above textile consumption is only valid for textile rolls with a width equal to or greater than 140 cm. For smaller textile rolls, please contact Sales Support for guidance. For textile with pattern, please expect a higher usage for correct pattern fitting. Please contact Sales Support for guidance.

PRODUCT TYPE
Dining chair

COLLI
1

ENVIRONMENT
Indoor

DIMENSIONS
H: 81 cm / 31,5"
SH: 48 cm / 18,8"
D: 54,5 cm / 21,5"
W: 50 cm / 19,7"

PRODUCTION PROCESS
The shell is made using injection moulded polypropylene with fibreglass. The star base is die-cast aluminium and the column is made of extruded aluminium.

All new Harbour Dining Chairs with a swivel base or swivel with return have been upgraded with QuickClick gliders, as used on all other chairs in our collection.

The chairs are delivered with the plastic gliders attached and come with a bag of supplementary felt castors that allow you to easily switch from plastic to felt.

TECHNICAL SPECIFICATIONS

COLOUR

Shell with upholstery
Dependent upon selected upholstery

Base
Black (RAL 9005)
Polished aluminium

GLOSS
Gloss 10-20

MATERIALS

Shell
85% polypropylene, 15% fibreglass

Upholstered shell foam
CAL117 50 kg / 50N and 40 kg / 60N

Base
Cast, extruded aluminium

WEIGHT
13 kg / 28,7 lb

TEST
EN 1022:2005, L2
EN 1639:2013, L2

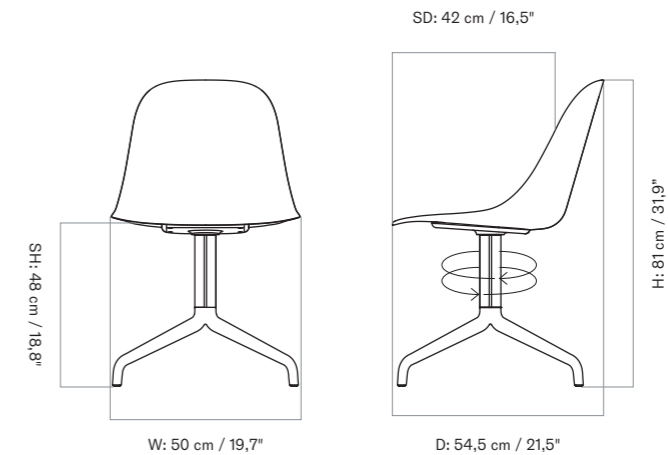
CERTIFICATIONS

Declare.

PACKAGING TYPE
Brown box

PACKAGING MEASUREMENTS
(H × W × D)
86 cm × 65 cm × 65 cm / 34" × 25,6" × 25,6"

MATERIALS & MAINTENANCE
Please visit audocph.com for materials, care and maintenance instructions.



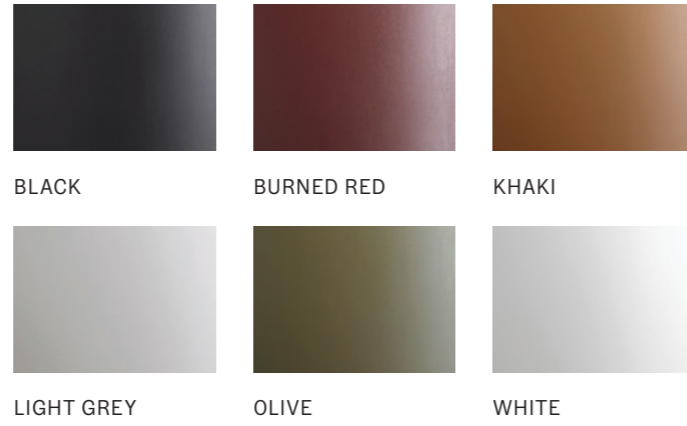


HARBOUR SIDE DINING CHAIR, STAR BASE, W/CASTERS, PLASTIC
Designed by *Norm Architects*

Dining chair with bare shell set on a polished aluminium or black powder coated aluminium star base with casters.

PRODUCT OPTIONS

Plastic shell



Star base with casters



TECHNICAL SPECIFICATIONS

PRODUCT TYPE
Dining chair

COLLI
1

ENVIRONMENT
Indoor

DIMENSIONS
H: 81 cm / 31,5"
SH: 48 cm / 18,8"
D: 55,5 cm / 21,9"
W: 50 cm / 19,7"

PRODUCTION PROCESS
The shell is made using injection moulded polypropylene with fibreglass. The star base is die-cast aluminium and the column is made of extruded aluminium.

COLOUR

Shell without upholstery
Black (RAL 9011)
Burned red (RAL 8015)
Khaki (RAL 1011)
Light grey (RAL 9002)
Olive (RAL 7002)
White (RAL 9016)

Base
Black (RAL 9005)
Polished aluminium

GLOSS
Gloss 10-20

MATERIALS

Shell
85% polypropylene, 15% fibreglass

Base
Cast, extruded aluminium.

Casters for powder coated base
PA6, PUR

Casters for polished aluminium base
Aluminium, PA6, PUR

WEIGHT
14 kg / 30,9 lb

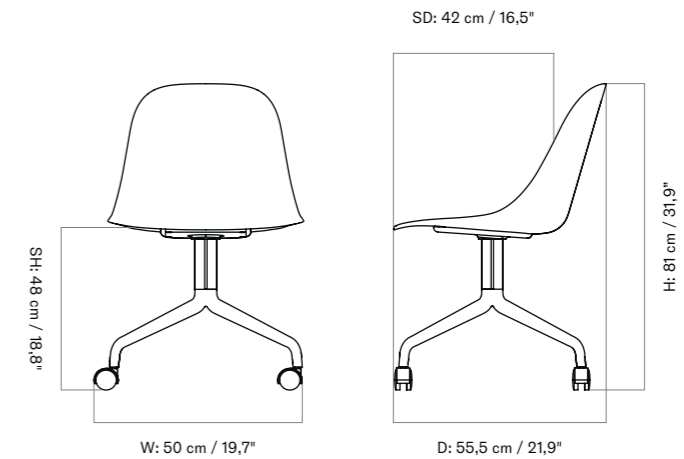
TEST
N / A

CERTIFICATIONS
Declare.

PACKAGING TYPE
Brown box

PACKAGING MEASUREMENTS
(H x W x D)
86 cm x 65 cm x 65 cm /
34" x 25,6" x 25,6"

MATERIALS & MAINTENANCE
Please visit audocph.com for materials, care and maintenance instructions.





HARBOUR SIDE DINING CHAIR, STAR BASE, W/CASTERS, UPHOLSTERED
Designed by *Norm Architects*

Dining chair with upholstered shell set on a polished aluminium or black powder coated aluminium star base with casters. All Harbour chairs have been upgraded with extra foam in the seat for better sitting comfort, increasing from 15 mm in thickness to 25 mm.



PRODUCT OPTIONS

Shell



WITH UPHOLSTERY

Star base



BLACK POWDER COATED ALUMINIUM



POLISHED ALUMINIUM

Spec options

Available in fabrics from our upholstery programme. Standard lead times apply.

For custom upholstery, please refer to the guiding textile/leather consumption:
COM: 1,27 m / 1,397 yds
COL: 2 m² / 21,54 sqft

Prices excl. custom upholstery are equal to Price Category 1 Textile or Leather. Contact Sales support for approval of custom upholstery and to place your order.

The above textile consumption is only valid for textile rolls with a width equal to or greater than 140 cm. For smaller textile rolls, please contact Sales Support for guidance. For textile with pattern, please expect a higher usage for correct pattern fitting. Please contact Sales Support for guidance.

TECHNICAL SPECIFICATIONS

PRODUCT TYPE
Dining chair

COLLI
1

ENVIRONMENT
Indoor

DIMENSIONS
H: 81 cm / 31,5"
SH: 48 cm / 18,8"
D: 55,5 cm / 21,9"
W: 50 cm / 19,7"

PRODUCTION PROCESS
The shell is made using injection moulded polypropylene with fibreglass. The star base is die-cast aluminium and the column is made of extruded aluminium.

COLOUR

Shell with upholstery
Dependent upon selected upholstery

Base
Black (RAL 9005)
Polished aluminium

GLOSS
Gloss 10-20

MATERIALS

Shell
85% polypropylene, 15% fibreglass

Upholstered shell foam
CAL117 50 kg / 50N and 40 kg / 60N

Base
Cast, extruded aluminium.

Casters for powder coated base
PA6, PUR

Casters for polished aluminium base
Aluminium, PA6, PUR

WEIGHT
14 kg / 30,9 lb

TEST
N / A

CERTIFICATIONS

Declare.

PACKAGING TYPE
Brown box

PACKAGING MEASUREMENTS
(H x W x D)
86 cm x 65 cm x 65 cm /
34" x 25,6" x 25,6"

MATERIALS & MAINTENANCE
Please visit audocph.com for materials, care and maintenance instructions.

